

ET- 830Z

HD High Preferment Outdoor Speed Dome



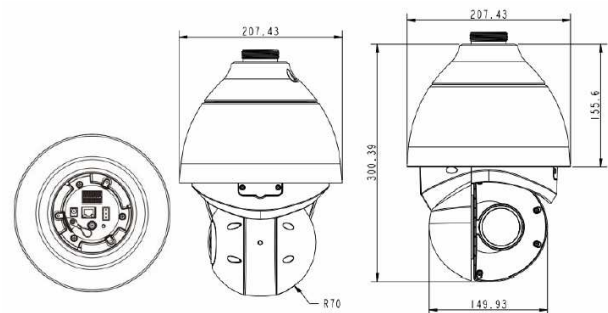
With the latest encoding technology and built-in IR LEDs, ET-830Z Series IR PTZ Camera presents strong HDR and high sensitivity performance, and is capable of capturing high resolution images during daylight hours and even, in pitch-black darkness.

At night, or in any low/zero lighting environment, ET-830Z Series is able to provide effective illumination to the object 200 meters away, and also delivers crystal clear images with high quality 30x optical zoom lens in long distance.

With delicate mechanism design, ET-830Z Series features Servo Feedback technology, which makes the camera precisely return to the previous position without stalling, and ensures the target monitoring region is fully secured. IP66 International standard is also guaranteed for outdoor installation. Furthermore, combining 0 downtime power switching (ZDT) technology, ET-830Z Series ensures smooth streaming without sudden power-loss.

Key Features

- ◆ Various Progressive Scan CMOS Sensor
- ◆ Up to powerful 30X Optical Zoom
- ◆ Digital Zoom Support
- ◆ High Dynamic Range (120dB)
- ◆ Quad codec support (H.264 Baseline / Main Profile / High Profile / SVC / MJPEG)
- ◆ Quad Streams Support
- ◆ True Day & Night (ICR)
- ◆ 2D/3D Noise Reduction
- ◆ 802.3at (PoE+) 4-Pair 60W Support for IR & Heater Activation
- ◆ Weatherproof (IP66 International)
- ◆ Servo Feedback – Image the mechanism from stalling
- ◆ 0 downtime power switching (ZDT)
- ◆ IR Distance up to 200m*
- ◆ IR Illumination Adjustment by Zoom Ratio
- ◆ BNC & RS-485 Support



Network ET-830Z Series – 2M / 3M / 4M HDR IP PTZ

Camera	ET-830Z-SH	ET-830Z-SD	ET-830Z-V6
Image Sensor	1/2.8" Sony Progressive CMOS	1/2.8" Sony Progressive CMOS	1/3" Progressive CMOS
Optical Zoom		30x	
Digital Zoom		10x	
Minimum Illumination	0.02 lux (Color), 0.05 lux (B/W) @ F1.6	TBD	TBD
Wide Dynamic Range		High Dynamic Range (Up to 3 Shutter, 120dB)	
Focus Mode		Auto / Manual	
White Balance		Auto / Indoor / Outdoor / ATW / Manual	

Iris Control	Auto / Manual		
Electronic Shutter	1/1~1/10000 sec.		
AGC Control	Auto / Manual		
Backlight Compensation	On / Off		
Lens			
Focal Length	4.3-129mm		
Min. Focus Length	1m (Wide); 1.2m (Tele)		
F Number	F 1.6 (Wide); F 4.7 (Tele)		
FOV	68.7°(Wide); 2.6° (Tele)	3M: 64.1° (Wide); 2.4° (Tele) 1080p: 60.8° (Wide); 2.3° (Tele)	TBD
Operation			
Pan Travel	360° endless		
Tilt Travel	-20°~200°		
Manual Speed	Pan	0.1~90°/s	
	Tilt	0.1°~60°/s	
Presets	256		
Preset Accuracy	0.16°		
Preset Speed	Pan	9°~280°/s	
	Tilt	7°~300°/s	
Sequence	8		
Auto Pan	4		
Cruise	8		
Privacy Mask	20 (Polygon Support)		
Speed by Zoom	On / Off (Pan and Tilt speed proportional to zoom ratio)		
Resume after Power loss	0 downtime power switching (ZDT) support		
Home Function	Preset / Sequence/ Auto pan / Cruise		
Auto Flip	Mechanical / Off		
Motion Detection	Motion Detection Window x 4 sets		
Day / Night: IR Cut Filter	On / Off		
Image Rotation	Flip / Mirror / Inverse		
Auto Calibration	On / Off, Servo Feedback Support		
Noise Reduction	2D	On / Off	
	3D	On / Off	
IR Distance	200m	150m	150m
Network			
Networking	RJ-45, 1Gbps Ethernet		
Video Compression	MJPEG / H.264 (MPEG-4 Part 10/AVC) Baseline / Main Profile / High Profile		
Video Stream	Single	Linear mode	H.264 2M @ 50/60 fps Note: Stream can be MJPEG
		HDR mode (2 Shutter)	H.264 2M @ 25/30fps Note: Stream can be MJPEG
		HDR mode (3 Shutter)	H.264 2M @ 25/30fps Note: Stream can be MJPEG
	Dual	Linear mode	H.264 2M @ 50/60 fps + H.264 SXGA @ 50/60 fps Note: One if the stream can be MJPEG
		HDR mode (2 Shutter)	H.264 2M @ 25/30 fps + H.264 SXGA @ 25/30 fps Note: One if the stream can be MJPEG
		HDR mode (3 Shutter)	H.264 2M @ 25/30 fps + H.264 SXGA @ 15 fps Note: One if the stream can be MJPEG
	Quad		H.264 2M @ 50/60 fps + H.264 SXGA @ 25/30 fps + H.264 720P @ 25/30 fps + H.264 D1 @ 25/30 fps Note: One if the stream can be MJPEG
Video Resolution	H.264	2M (Full HD 1080P) / SXGA / HD 720P / XGA / SVGA / D1 / VGA / CIF / QVGA	3M (2048x1536) / Full HD 1080P / SXGA / 720P / XGA / SVGA / D1 / VGA / CIF / QVGA
	MJPEG	Full HD 1080P / SXGA / HD 720P / XGA / SVGA / D1 / VGA / CIF / QVGA	
Audio Compression	G.711 / G.726 / AAC		
Audio Stream	Two-way Audio		
Protocols	IPv4/v6, TCP/IP, UDP, RTP, RTSP, HTTP, HTTPS, ICMP, FTP, SMTP, DHCP, PPPoE, UPnP, IGMP, SNMP, QoS, ONVIF, ARP		
Security	HTTPS / IP Filter / IEEE 802.1x		
Alarm	Input	4 Sets / 5V 10kΩ pull up	
	Output	2 Set / Relay output, max. 120mA DC 400V / 120mA AC 250V	
Alarm Reaction	Preset / Sequence / Auto Pan / Cruise		
RS-485	Pelco D, Pelco P, DSCP Protocol Support		
BNC	Support (CVBS 1Vpp, 75 Ω)		
SD Card	SD Support		
Supported Web Browser	Internet Explore (10.0+) / Firefox / Safari		
Password Levels	User and Administrator		
General			
Environment	Outdoor		
Operating Temperature*	Outdoor	-40°C ~ 50°C (-40°F ~ 122°F)	
Humidity	Outdoor	10% ~ 90%, No Condensation	
Dimension	Outdoor	ø 207.43 x 300.39 mm w/ Sunshield	
Weight	Outdoor	3.8 kg	
Power Source*	Outdoor	802.3at (PoE+) 4-Pair 60W / AC 24V ± 20% / DC 12V	
Power Consumption*	Outdoor	44.5W (with IR & Heater on)	
Regulatory	CE / FCC / RoHS / IP66		

* mark for to be discussed # mark for optional items

Product specification and availability are subject to change without notice.